



CATALOG OF SELECTED PRODUCTS

KATALOG WYBRANYCH PRODUKTÓW

WWW.CHARKIEWICZ.PL
WWW.CHARKIEWICZ.PL

WWW.CHARKIEWICZ.PL
WWW.CHARKIEWICZ.PL
WWW.CHARKIEWICZ.PL

POLAND 2023

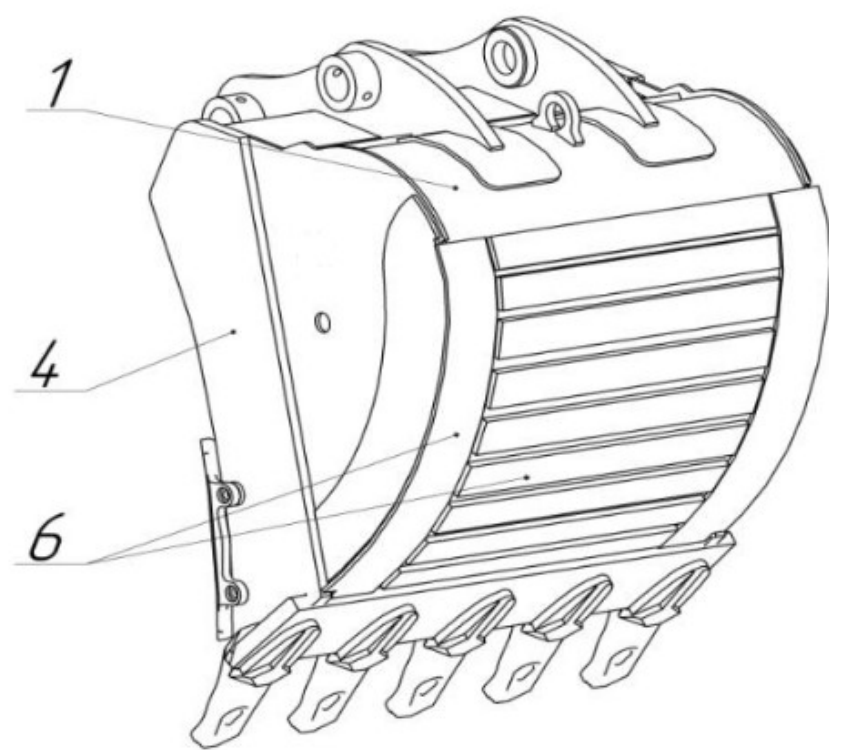
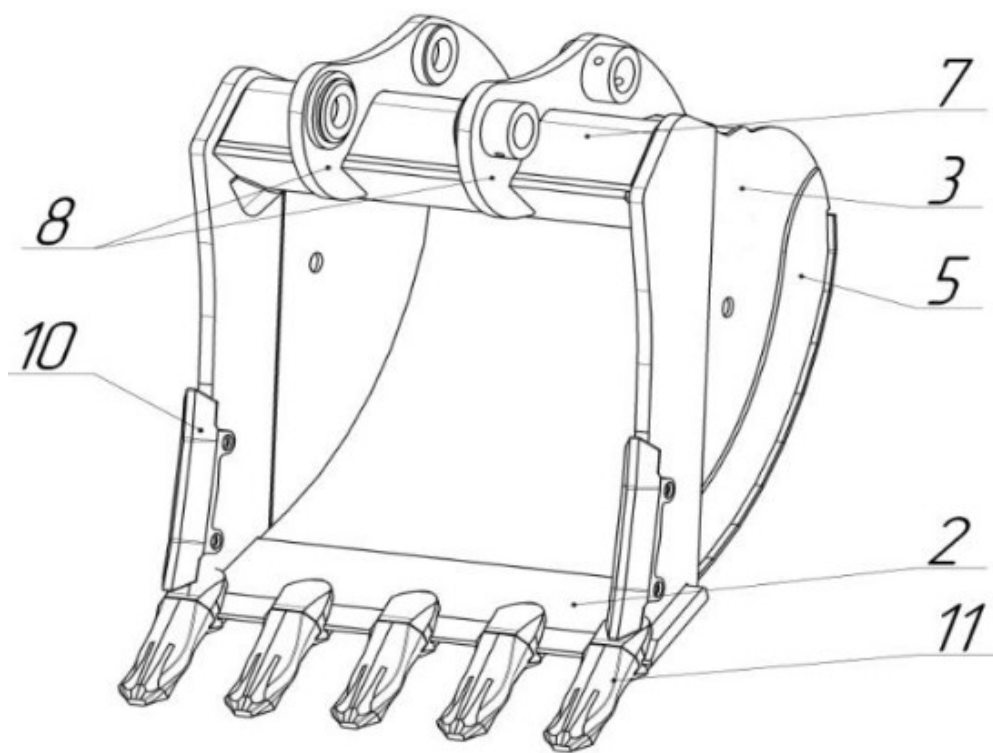
CATERPILLAR
LIEBHERR
KOMATSU
VOLVO
HITACHI
HYUNDAI
CASE
JCB
DOOSAN
JOHN DEERE

Produkt: **ŁYŻKA HEAVY-DUTY / Bucket HEAVY-DUTY**
 Zastosowanie: KOPARKA KOŁOWA 15 T / Wheel excavator 15 t



Katalog 2023
 Czeladź/Poland

Nº	Product	Overall dimensions, mm	weight, kg
1	Reinforced Bucket V-(SAE)-0,5 m3, Parts number HD-16.08-J30(4)	800(L)*1250(H) *1500(B)*1070(R)	570
2	Reinforced Bucket V-(SAE)-0,85 m3, Parts number HD-16.12-J30(5)	1200(L)*1250(H) *1500(B)*1070(R)	720



1	BOTTOM	S355	8 mm
2	LIP	HB400	35 mm
3	SIDE WALL	S355	8 mm
4	WING	S355	25 mm
5	PLATE	HB450	8 mm
6	BOTTOM LINING	HB450	8 mm
7	BEAM	S355	12 mm
8	LOOP	S355	20 mm
10	PROTECTOR	9J9600	2 pcs 4-
11	ADAPTER/TOOTH TIP	CAT J300-series	5 pcs

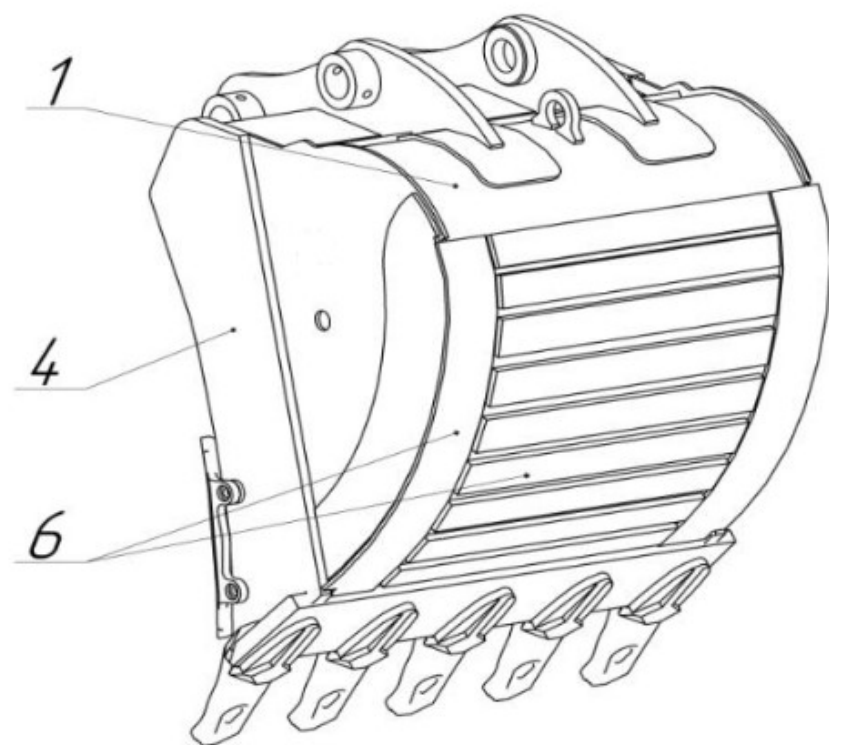
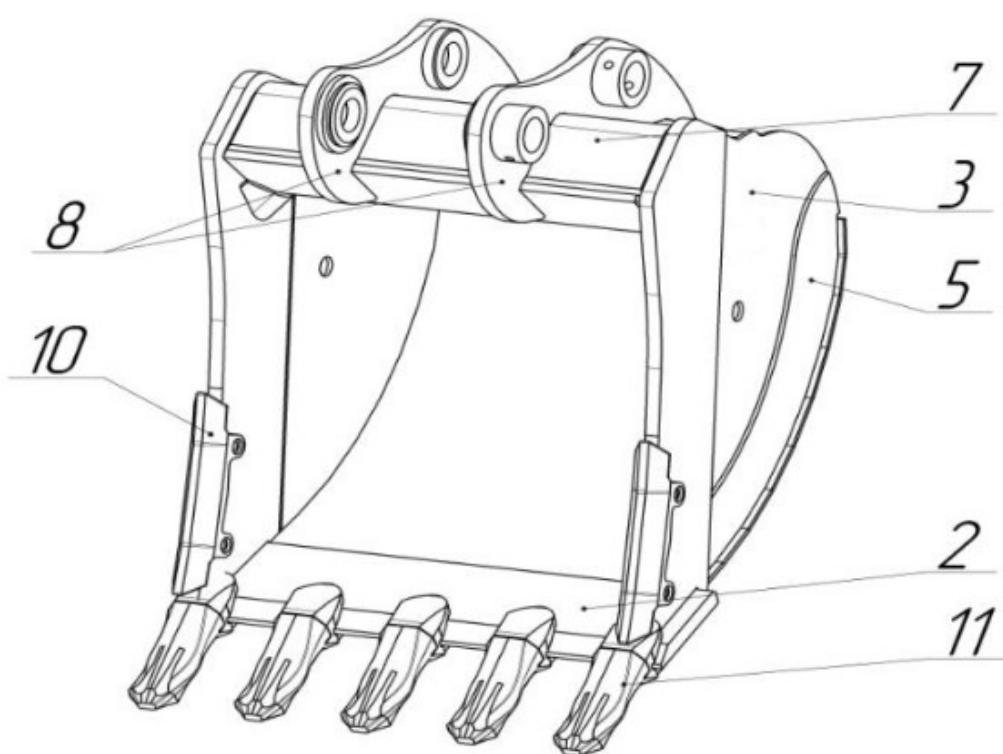
Parameters of the bucket

Produkt: **ŁYŻKA HEAVY-DUTY / Bucket HEAVY-DUTY**
 Zastosowanie: KOPARKA KOŁOWA 22 T / Wheel excavator 22 t



Katalog 2023
 Czeladź/Poland

Nº	Product	Overall dimensions, mm	weight, kg
1	Reinforced Bucket V-(SAE)-1,1 m3, Parts number HD-21.12-J35(5)	1200(L)*1400(H) *1650(B)*1200(R)	1050



1	BOTTOM	S355	10 mm
2	LIP	HB400	40 mm
3	SIDE WALL	S355	10 mm
4	WING	S355	30 mm
5	PLATE	HB450	10 mm
6	BOTTOM LINING	HB450	10 mm
7	BEAM	S355	16 mm
8	LOOP	S355	25 mm
10	PROTECTOR	9J9600	2 pcs
11	ADAPTER/TOOTH TIP	CAT J350-series	5 pcs

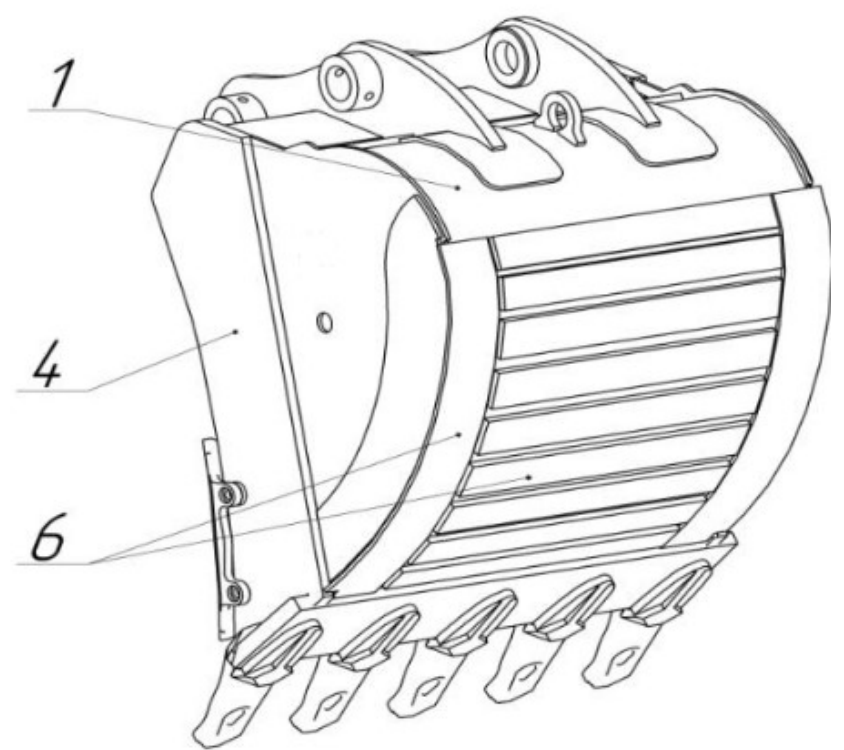
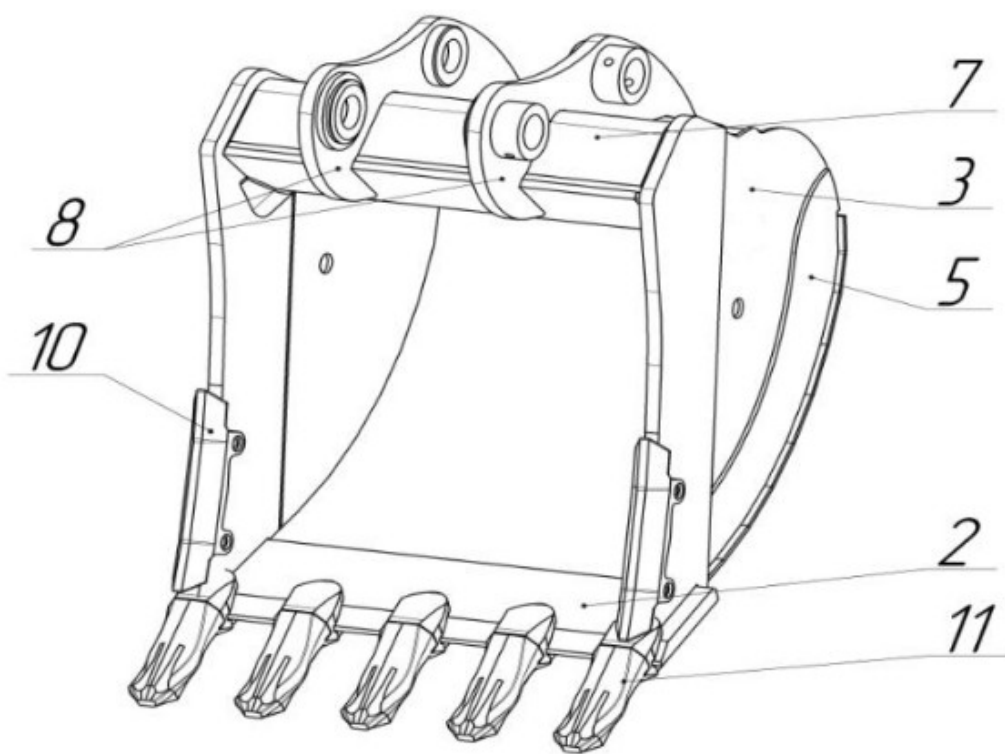
Parameters of the bucket

Produkt: **ŁYŻKA HEAVY-DUTY / Bucket HEAVY-DUTY**
 Zastosowanie: KOPARKA GAŚNIENICOWA 38 T / Excavator 38 t



Katalog 2023
 Czeladź/Poland

Nº	HEAVY-DUTY bucket	Overall dimensions, mm	weight, kg	quantity
1	V (SAE)-1,95m ³ , Parts number HD-31j.17-J40(5)	1700(L)*1500(H) *1800(B)*1330(R)	1660	1



1	BOTTOM	S355	12 mm
2	LIP	HB400	40 mm
3	SIDE WALL	S355	12 mm
4	WING	S355	30 mm
5	PLATE	HB450	12 mm
6	BOTTOM LINING	HB450	12 mm
7	BEAM	S355	20 mm
8	LOOP	S355	30 mm
10	PROTECTOR	9J9600	2 pcs
11	ADAPTER/TOOTH	CAT J400-series	5 pcs

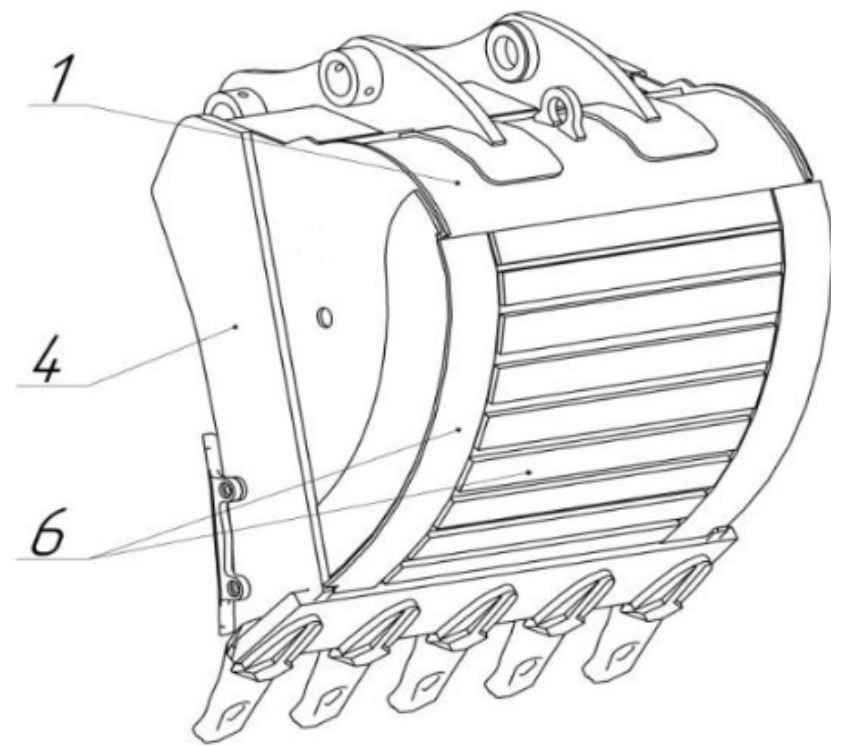
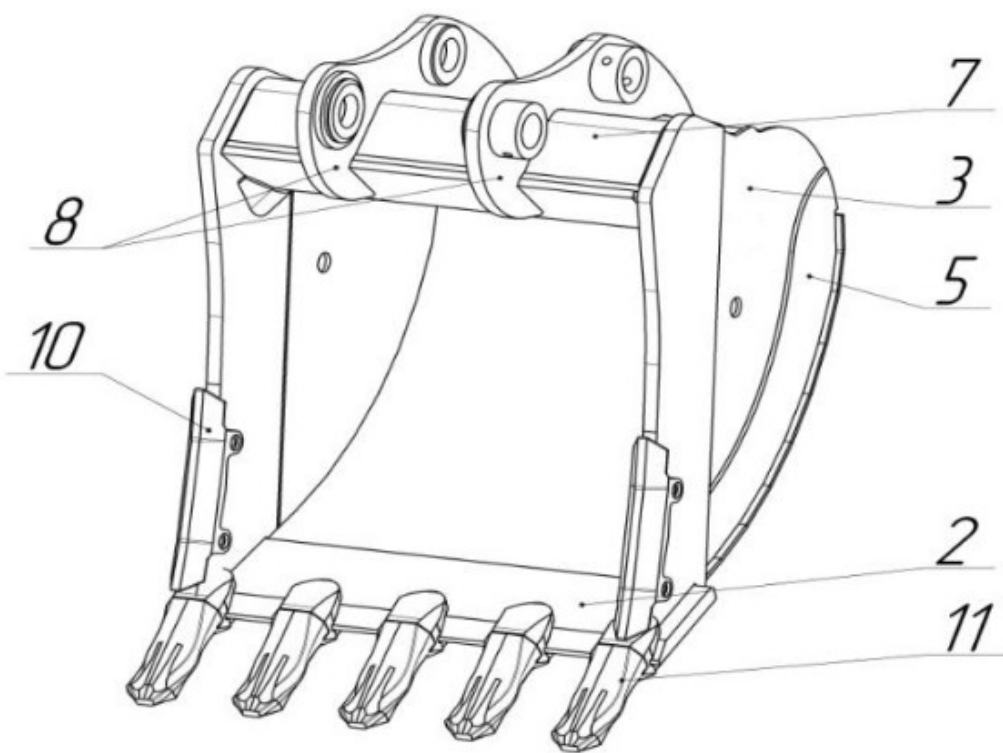
Parameters of the bucket

Produkt: **ŁYŻKA HEAVY-DUTY / Bucket HEAVY-DUTY**
 Zastosowanie: KOPARKA GAŚNIENICOWA 30 T / Excavator 30 t



Katalog 2023
 Czeladź/Poland

Nº	Product	Overall dimensions, mm	weight, kg
1	Reinforced Bucket V-(SAE)-1,8 m3, Parts number HD-31.16-J40(5)	1600(L)*1500(H) *1800(B)*1330(R)	1600



1	BOTTOM	S355	12 mm
2	LIP	HB400	40 mm
3	SIDE WALL	S355	12 mm
4	WING	S355	30 mm
5	PLATE	HB450	12 mm
6	BOTTOM LINING	HB450	12 mm
7	BEAM	S355	20 mm
8	LOOP	S355	30 mm
10	PROTECTOR	9J9600	2 pcs
11	ADAPTER/TOOTH TIP	CAT J400-series	5 pcs

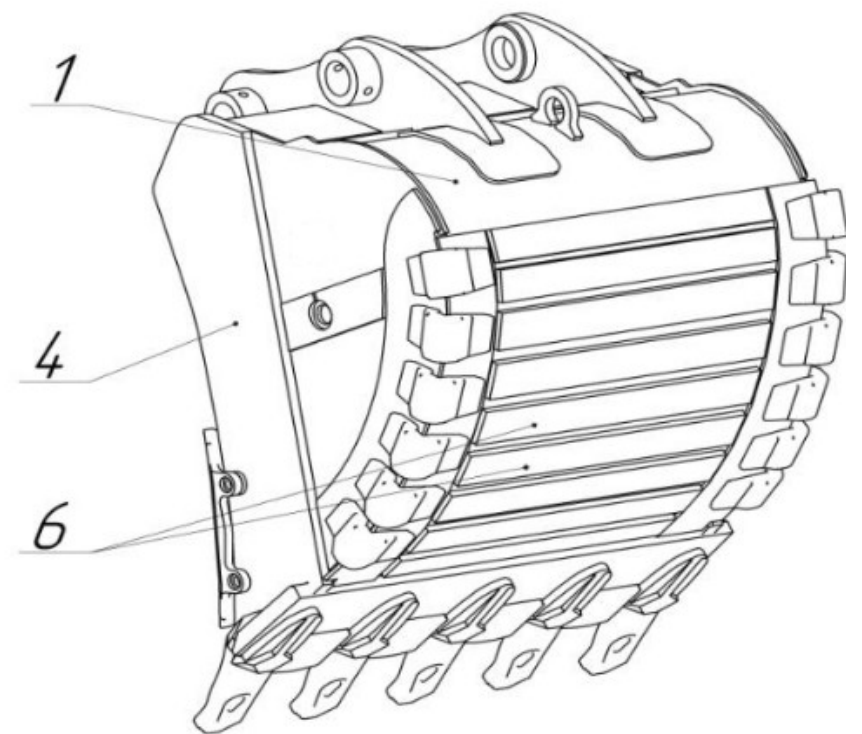
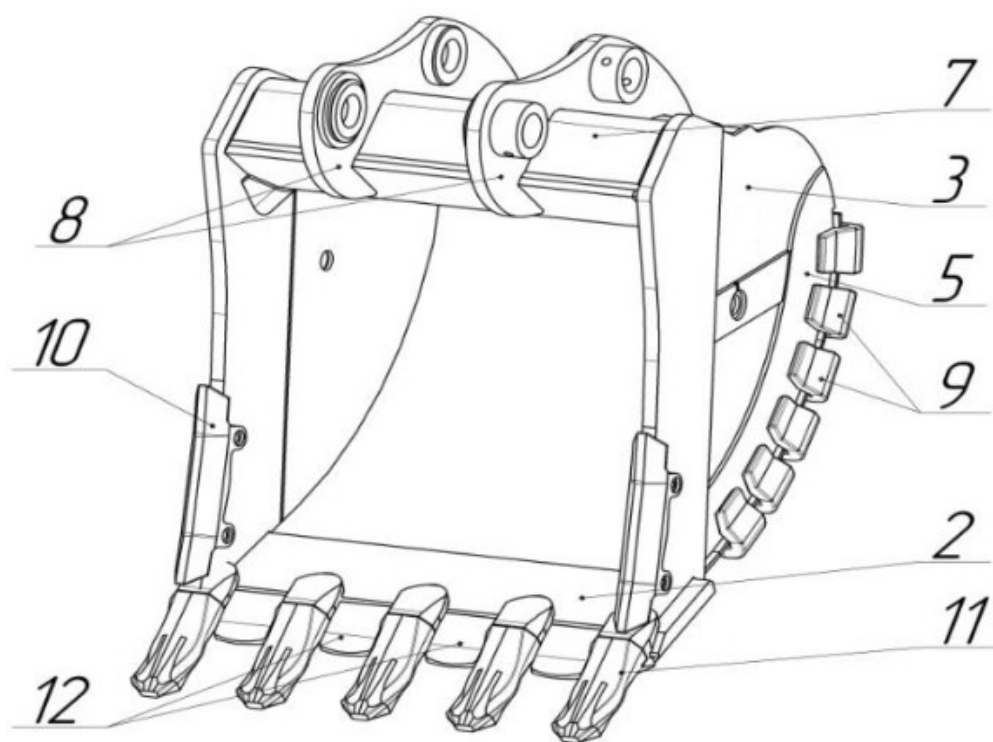
Parameters of the bucket

Produkt: **ŁYŻKA ROCK DUTY / Bucket ROCK DUTY**
 Zastosowanie: KOPARKA GAŚNIENICOWA 54 T / Excavator 54 t



Katalog 2023
 Czeladź/Poland

Nº	Product	Overall dimensions, mm	weight, kg
1	Rock-duty Bucket V-(SAE)-3,0 m3, Parts number RD-51.20-J55(5)WS	2000(L)*1800(H) *2100(B)*1500(R)	2970



1	BOTTOM	HB450	15 mm
2	LIP	HT360	60 mm
3	SIDE WALL	HB450	12 mm
4	WING	HB400	40 mm
5	PLATE	HB450	15 mm
6	BOTTOM LINING	HB450	15 mm
7	BEAM	S690QL	20 mm
8	LOOP	S355	40 mm
9	HEELS	HS 230-190	10 pcs 2
10	PROTECTOR	1U0740	pcs
11	ADAPTER/TOOTH TIP	CAT J550-series	5 pcs
12	LIP SHROUD	I-130	4 pcs

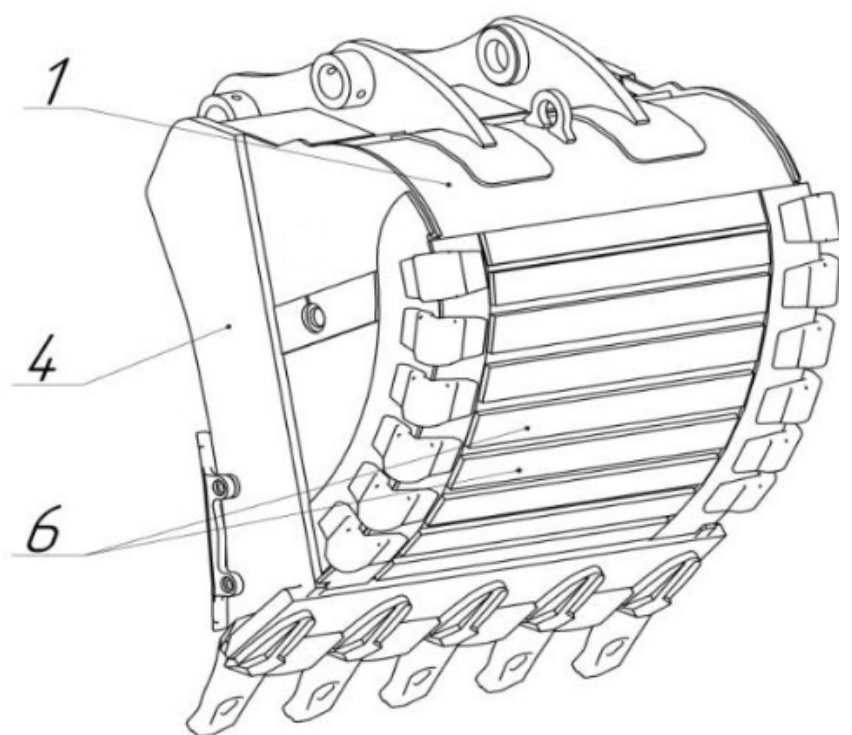
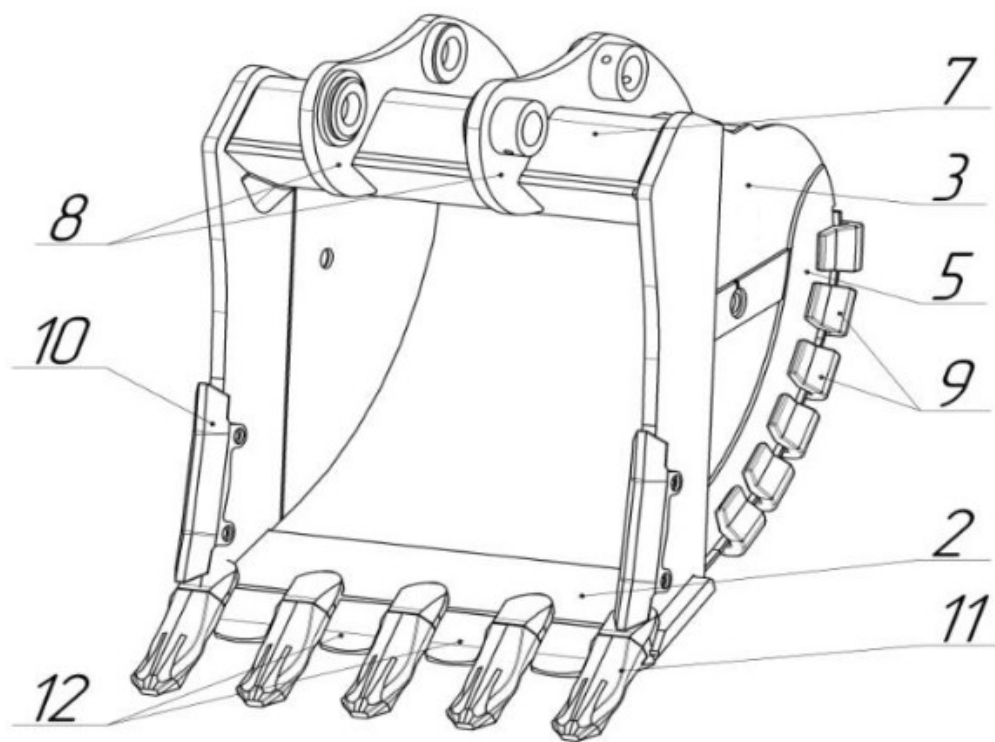
Parameters of the bucket

Produkt: **ŁYŻKA ROCK DUTY / Bucket ROCK DUTY**
 Zastosowanie: KOPARKA GAŚNIENICOWA 38 T / Excavator 38 t



Katalog 2023
 Czeladź/Poland

Nº	ROCK-DUTY bucket	Overall dimensions, mm	weight, kg	quantity
1	V (SAE)-1,8m3, Parts number RD-31.16-J40(5)WS	1600(L)*1500(H) *1800(B)*1330(R)	1740	1



1	BOTTOM	HB450	12 mm
2	LIP	HT360	45 mm
3	SIDE WALL	S355	12 mm
4	WING	HB400	30 mm
5	PLATE	HB450	12 mm
6	BOTTOM LINING	HB450	12 mm
7	BEAM	S355	20 mm
8	LOOP	S355	30 mm
9	HEELS PROTECTOR	HS175-140	10 pcs 2
10	PROTECTOR	9J9600	pcs
11	ADAPTER/TOOTH	CAT J400-series	5 pcs
12	LIP SHROUD	209-939-5170-140	4 pcs

Parameters of the bucket

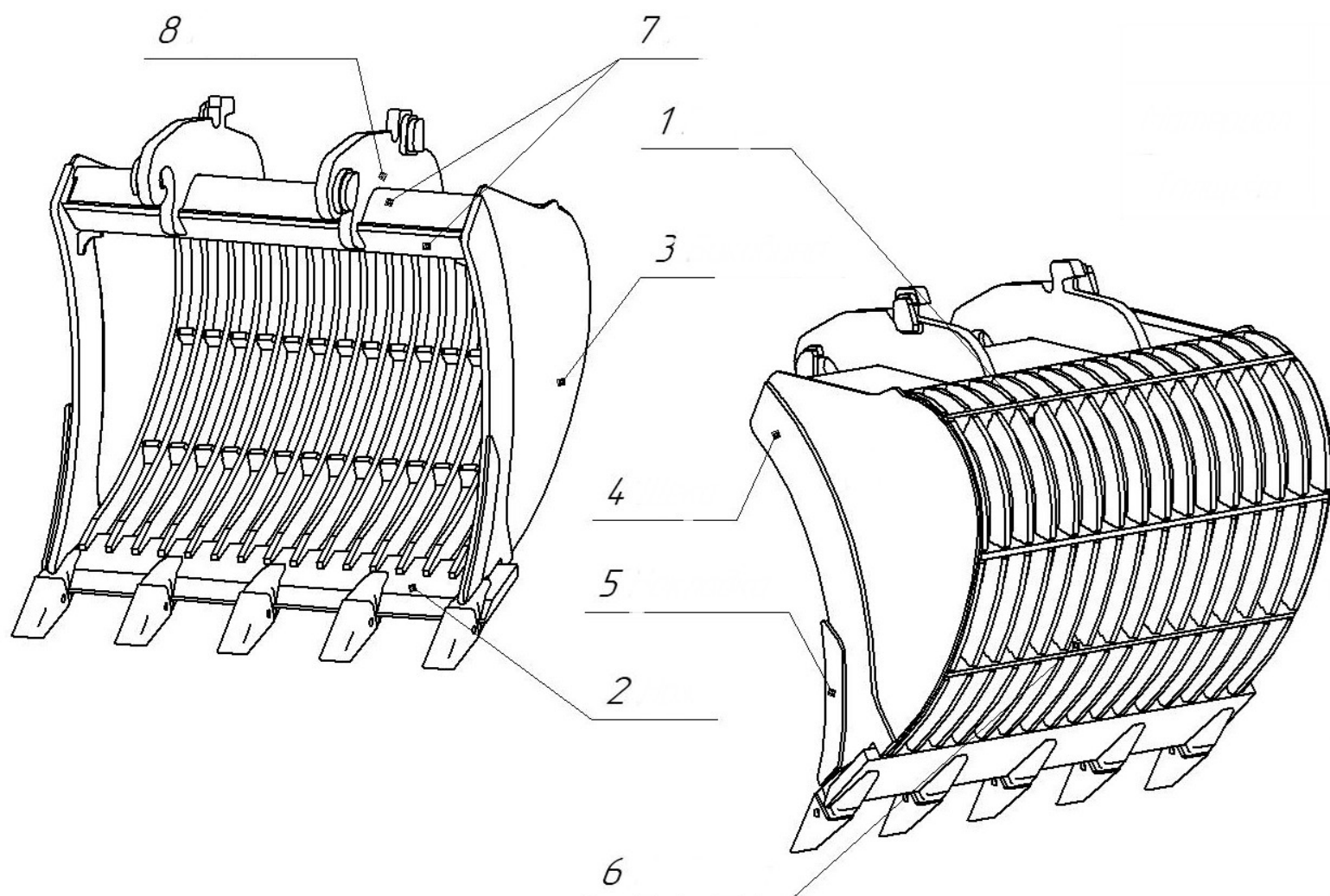
Produkt: **ŁYŻKI AŻUROWE / OPENWORK buckets**

Zastosowanie: KOPARKA / Excavator



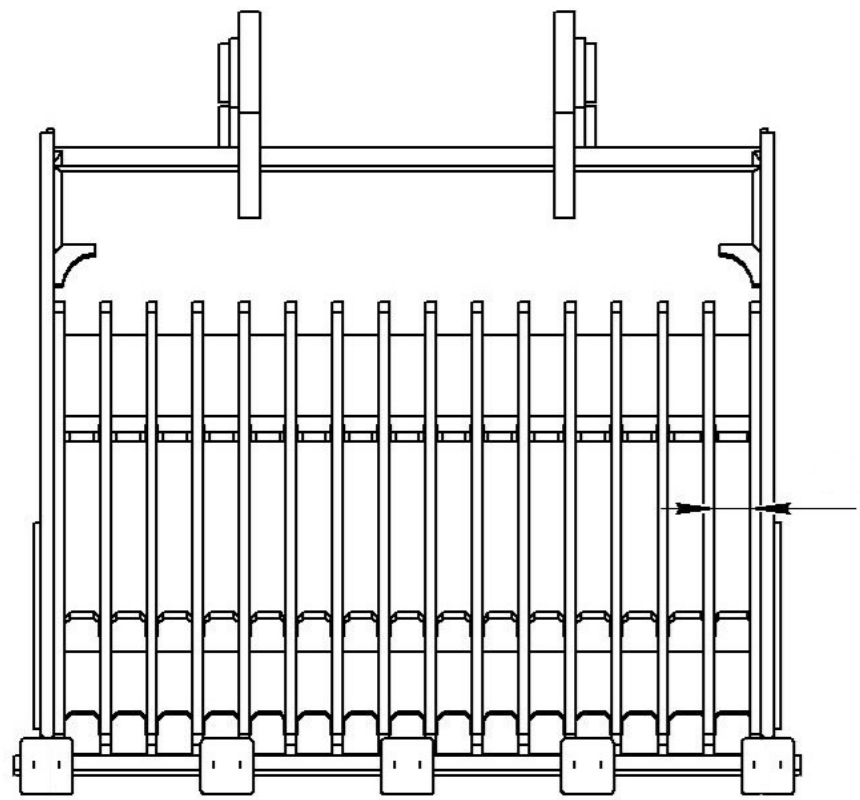
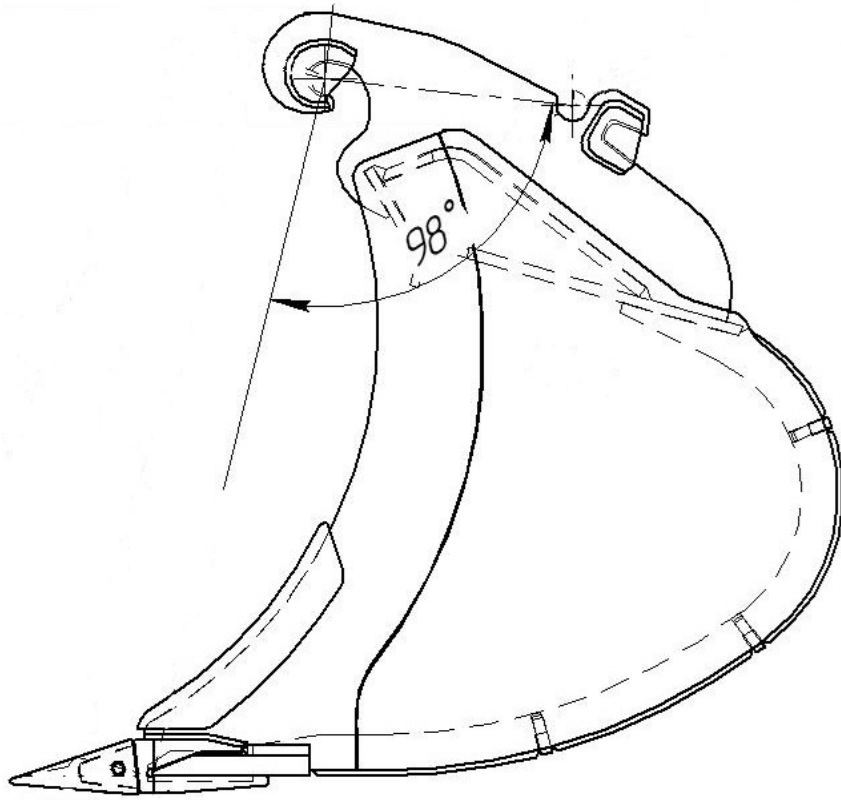
Katalog 2023
Czeladź/Poland

Nº	Openwork buckets	Overall dimensions, mm	weight, kg	Aperture, mm	quantity
1	V (SAE)-1,4m ³ , Parts number GRH-31.120.13-J40(5) V (SAE)-1,4m ³ , Parts number GRH-31.120.13-J40(5)	1300(L)*1500(H) *1800(B)*1330(R) 1300(L) *1500(H) *1800(B)*1330(R)	1400	120	1
2	V (SAE)-1,65m ³ , Parts number GRX-31.50.15-J40(5) V (SAE)-1,65m ³ , Parts number GRX-31.50.15-J40(5)	1500(L)*1500(H) *1800(B)*1330(R) 1500(L) *1500(H) *1800(B)*1330(R)	1800	50	1
3	V (SAE)-1,65m ³ , Parts number GRX-31.70.15-J40(5) V (SAE)-1,65m ³ , Parts number GRX-31.70.15-J40(5)	1500(L)*1500(H) *1800(B)*1330(R) 1500(L) *1500(H) *1800(B)*1330(R)	1700	70	1
4	V (SAE)-1,65m ³ , Parts number GR-31.80.15-J40(5) V (SAE)-1,65m ³ , Parts number GR-31.80.15-J40(5)	1500(L)*1500(H) *1800(B)*1330(R) 1500(L) *1500(H) *1800(B)*1330(R)	1600	80	1
5	V (SAE)-1,65m ³ , Parts number GRH-31.200.15-J40(5)	1500(L)*1500(H) *1800(B)*1330(R)	1550	200	1
6	V (SAE)-1,8m ³ , Parts number GRH-31.130.16-J40(5)	1600(L)*1500(H) *1800(B)*1330(R)	1650	130	1
7	V (SAE)-1,95m ³ , Parts number GRH-31.30.17-J40(5)	1700(L)*1500(H) *1800(B)*1330(R)	2000	30	1
8	V (SAE)-2,1m ³ , Parts number GR-31.100.18-J40(5)	1800(L)*1500(H) *1800(B)*1330(R)	1860	100	1



1	RIBS WITH APERTURE	See below the special value
2	LIP	HB400 40 mm
3	SIDE WALL	S355 12 mm
4	WING	S355 30 mm
5	PROTECTOR	9J9600 2 pcs
6	RIBS WITH APERTURE	See below the special value
7	BEAM	S355 20 mm
8	LOOP	S355 30 mm
9	ADAPTER/TOOTH	CAT J400-series 5 pcs

Parameters of the bucket



Produkt: **ŁYŻKA SKARPOWA / Grading bucket**
 Zastosowanie: KOPARKA GĄSIENICOWA 12 - 24 T / Excavator 12 - 24 t

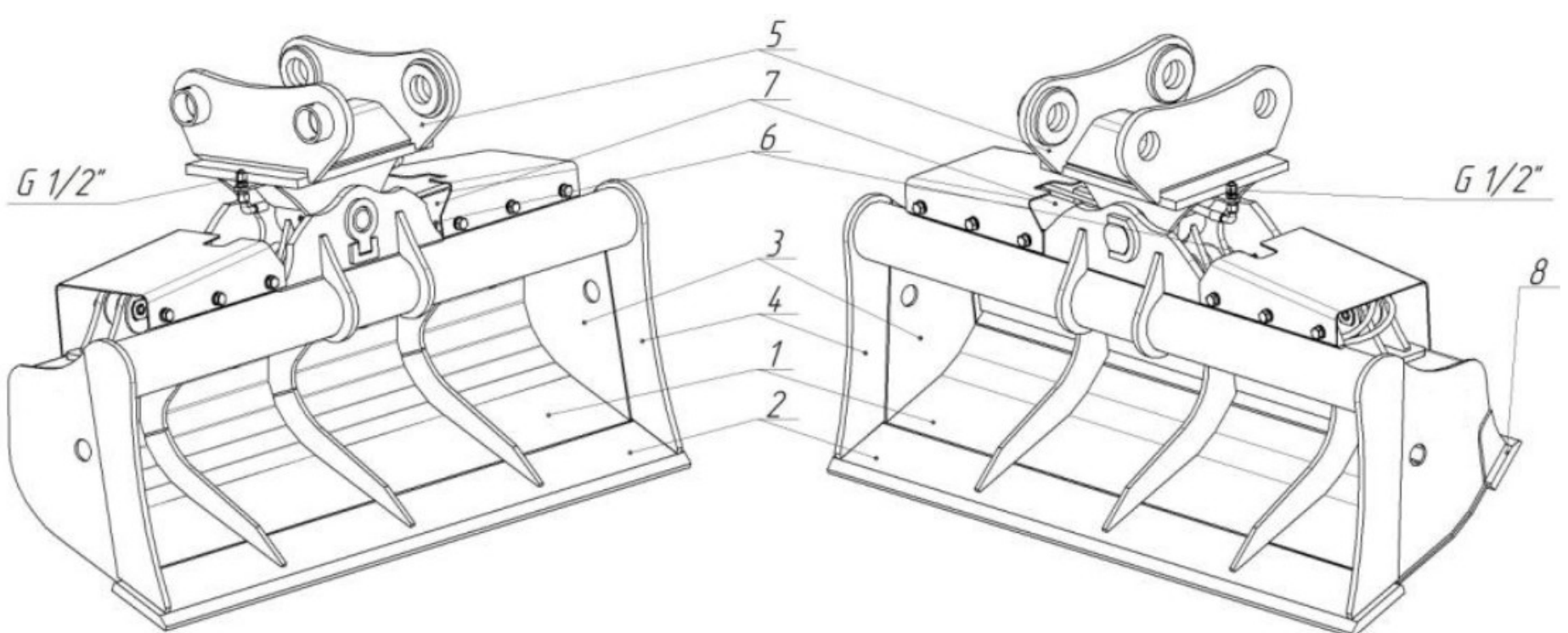


Katalog 2023
 Czeladź/Poland

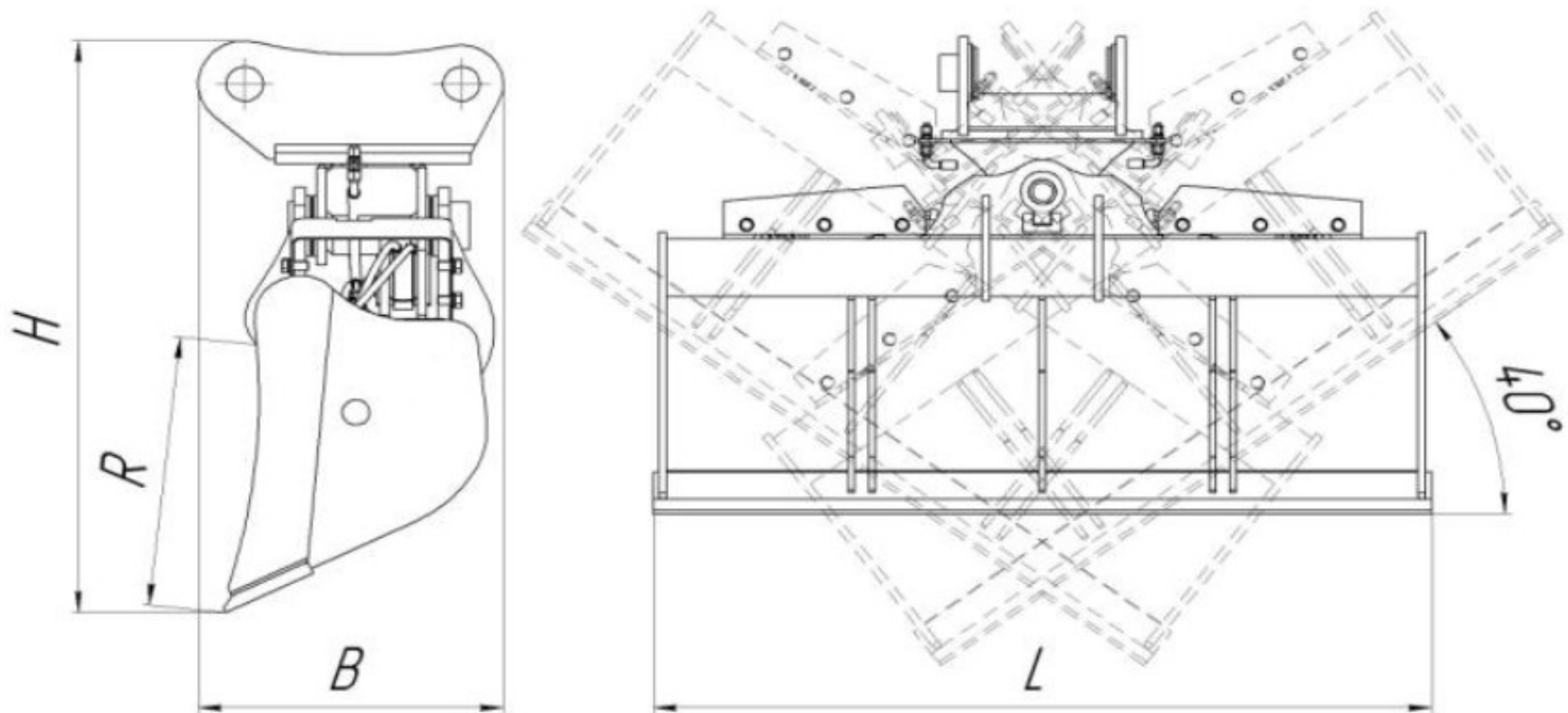
Nº	Product	Overall dimensions, (L, H, B) mm	weight, kg
Type "S" For 12-24t excavators (Hydraulic system parameters: G1/2", Pmax=32 MPa, 20...40 l/min)			
1	Grading bucket V(SAE)-0,55 m3, Part number SB-16S.18-N	1800*1350*710	870
2	Grading bucket V(SAE)-0,62 m3, Part number SB-16S.20-N	2000*1350*710	910
Type "D" with additional back blade For 12-24t excavators (Hydraulic system parameters: G1/2", Pmax=32 MPa, 20...40 l/min)			
1	Grading bucket V(SAE)-0,55 m3, Part number SB-16D.18-N	1800*1350*710	1070
2	Grading bucket V(SAE)-0,62 m3, Part number SB-16D.20-N	2000*1350*710	1110

Type "S"

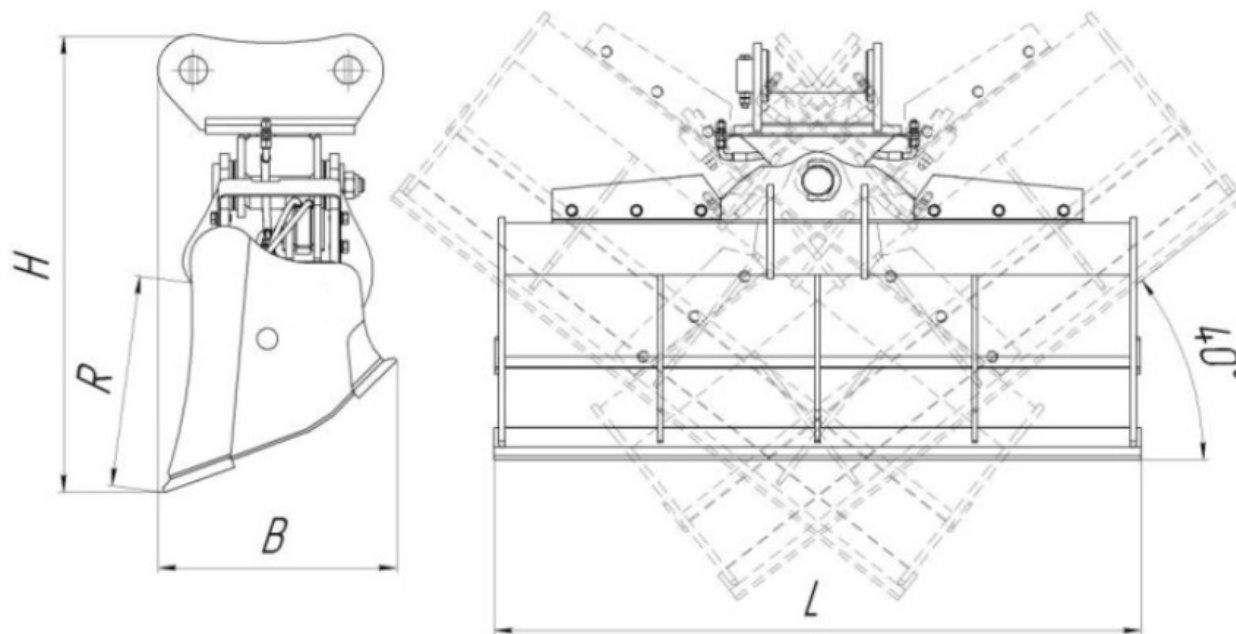
Type "D"



Type "S"



Type "D"



1	BOTTOM S355	8 mm
2	REPLACEMENT LIPHB400	30 mm
3	SIDE WALLS355	8 mm
4	WING S355	20 mm
5	LOOP S355	25 mm
6	Throttle for bucket speed rotation adjusting V0565 (VRB03)	
7	HYDRAULIC CYLINDERGVAYA 033-00.000-06	SET
8	BACK BLADE (only for Type D)HB400	25 mm

Produkt: **ŁYŻKA SKARPOWA / Grading bucket**
 Zastosowanie: KOPARKA GAŚNIENICOWA 25 - 34 T / Excavator 25 - 34 t

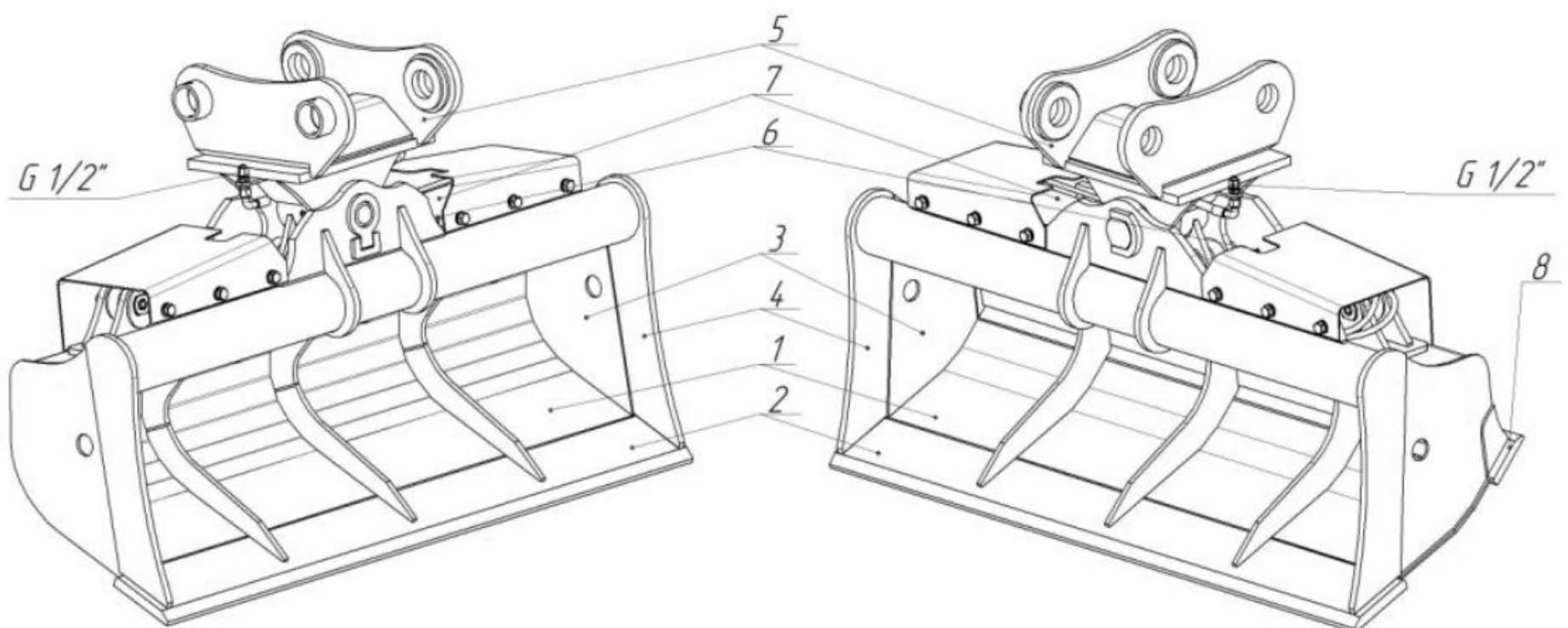


Katalog 2023
 Czeladź/Poland

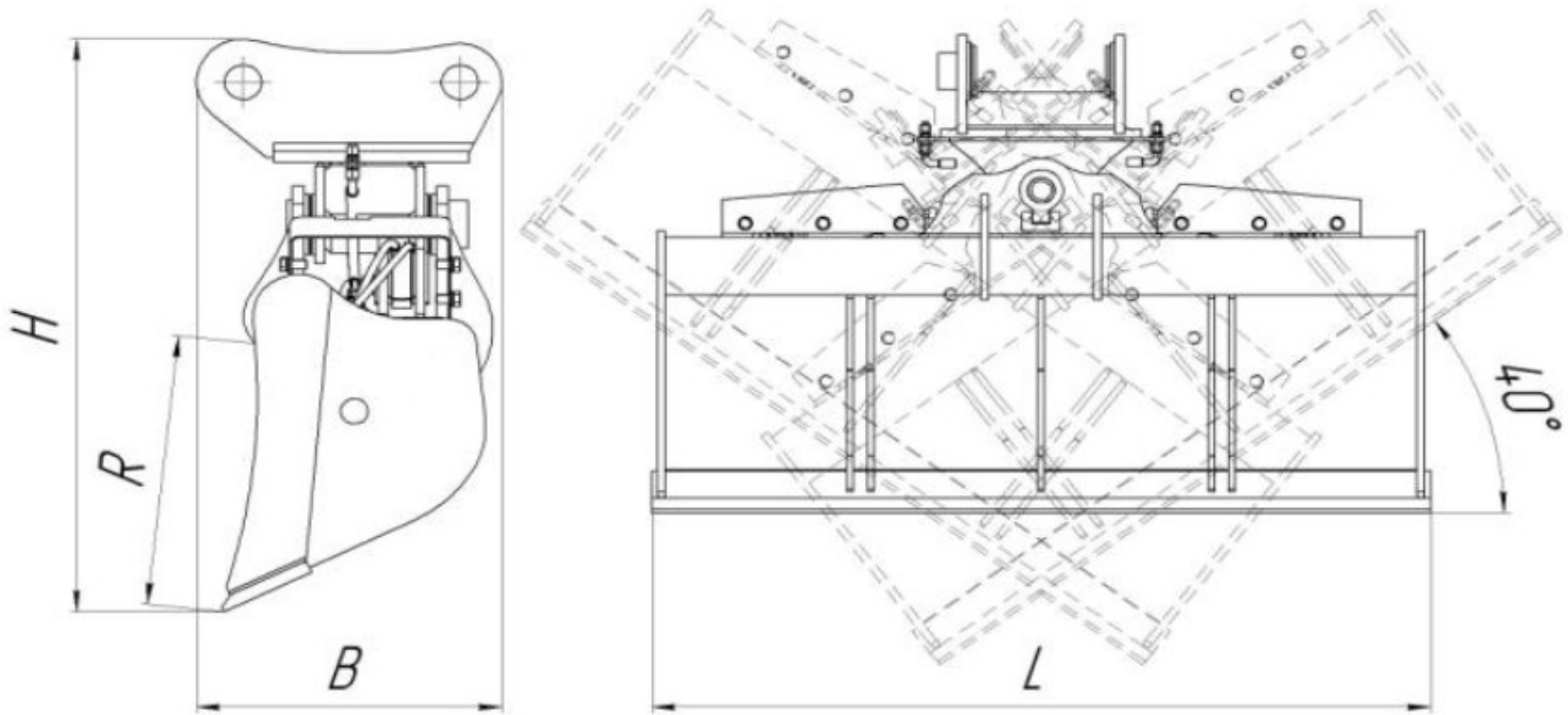
Nº	Product	Overall dimensions, (L, H, B) mm	weight, kg
Type "S" For 25-34t excavators (Hydraulic system parameters: G1/2", Pmax=32 MPa, 30...60 l/min)			
1	Grading bucket V(SAE)-0,96 m3, Part number SB-26S.20-N	2000*1620*870	1285
2	Grading bucket V(SAE)-1,23 m3, Part number SB-26S.25-N	2500*1620*870	1445
Type "D" with additional back blade For 25-34t excavators (Hydraulic system parameters: G1/2", Pmax=32 MPa, 30...60 l/min)			
1	Grading bucket V(SAE)-0,96 m3, Part number SB-26D.20-N	2000*1620*870	1460
2	Grading bucket V(SAE)-1,23 m3, Part number SB-26D.25-N	2500*1620*870	1600

Type "S"

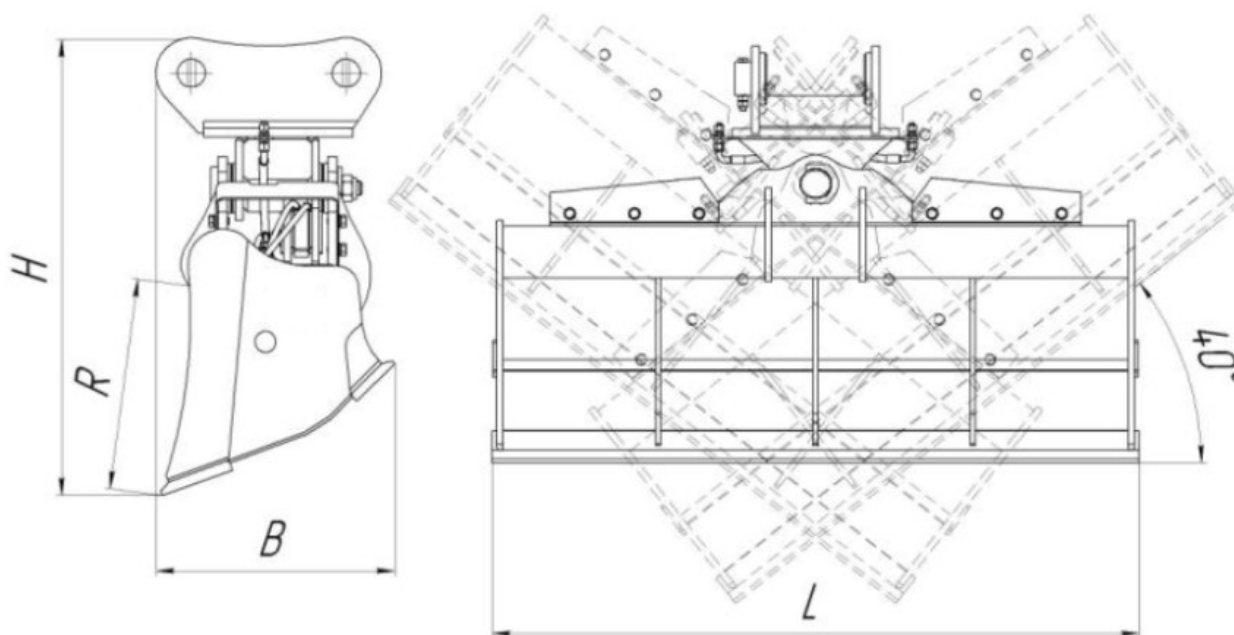
Type "D"



Type "S"



Type "D"



1	BOTTOM S355	10 mm
2	REPLACEMENT LIPHB400	35 mm
3	SIDE WALLS355	10 mm
4	WING S355	30 mm
5	LOOP S355	30 mm
6	Throttle for bucket speed rotation adjusting V0565 (VRB03)	
7	HYDRAULIC CYLINDERGC-100.63*190.11-01	SET
8	BACK BLADE (only for Type D)HB400	30 mm

Produkt: **ŁYŻKA ŁADOWARKOWA DO WĘGLA**

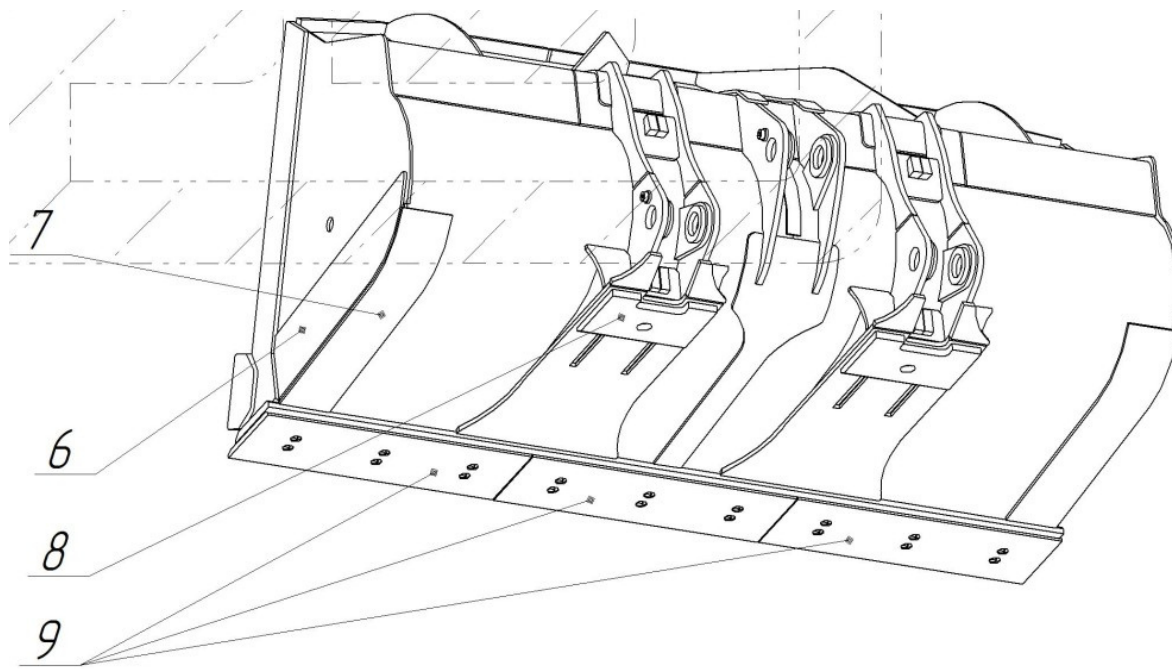
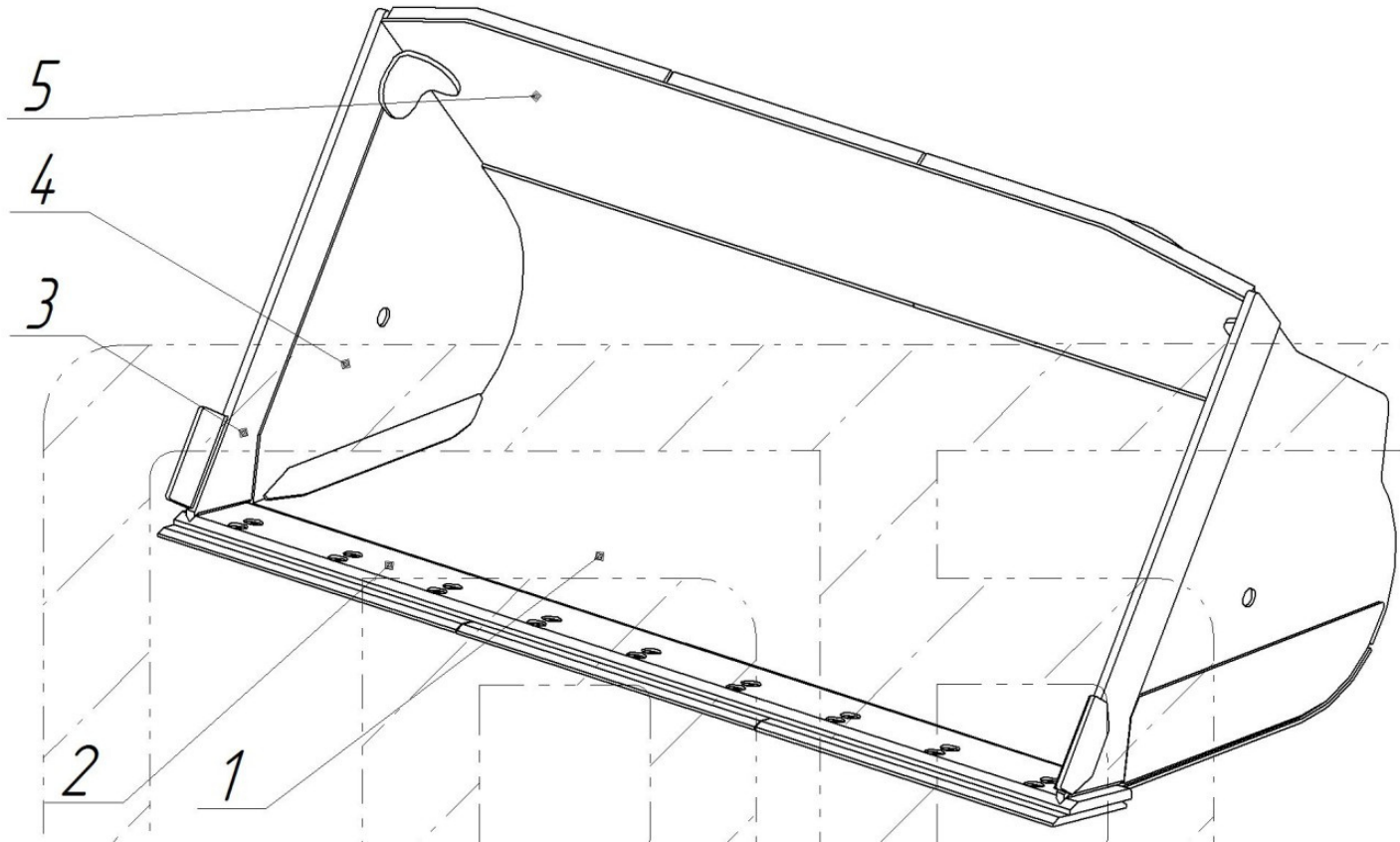
9,5 m³ / Buckets for light materials (carbon) 9,5 m³

Zastosowanie: ŁADOWARKA KOŁOWA / Wheel loader



Katalog 2023
Czeladź/Poland

Nº	Product	Dimensions, mm	weight, kg
1	Bucket V(SAE)=9,5m3 (FLL-23-1200/N)	3700(L)*1950(H) *2245(B)	3340



1	BOTTOM	S355	10 mm
2	LIP	HB400	35 mm
3	WING	S355	25 mm
4	SIDE WALL	S355	10 mm
5	VISOR	S355	10 mm
6	SIDE WALL PLATE	HB450	10 mm
7	BOTTOM LINNING	HB450	10 mm
8	HEELS	HB400	30 mm
9	BOLT ON BLADES (TWO-PHASED)	HB400	25 mm

Produkt: **ŁYŻKA WYSOKIEGO WYSYPU 6,0 m³ /**

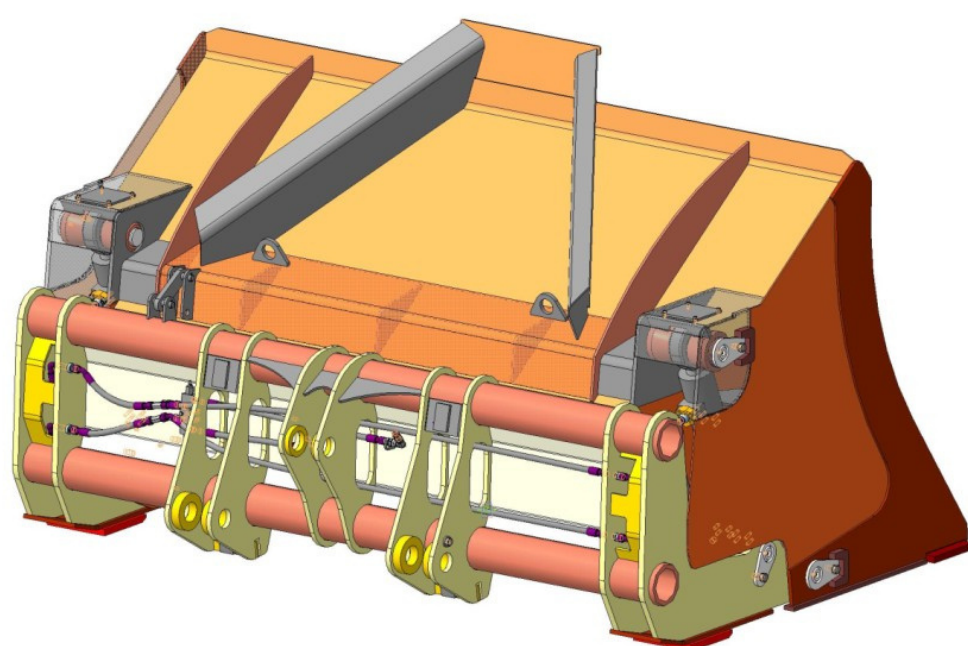
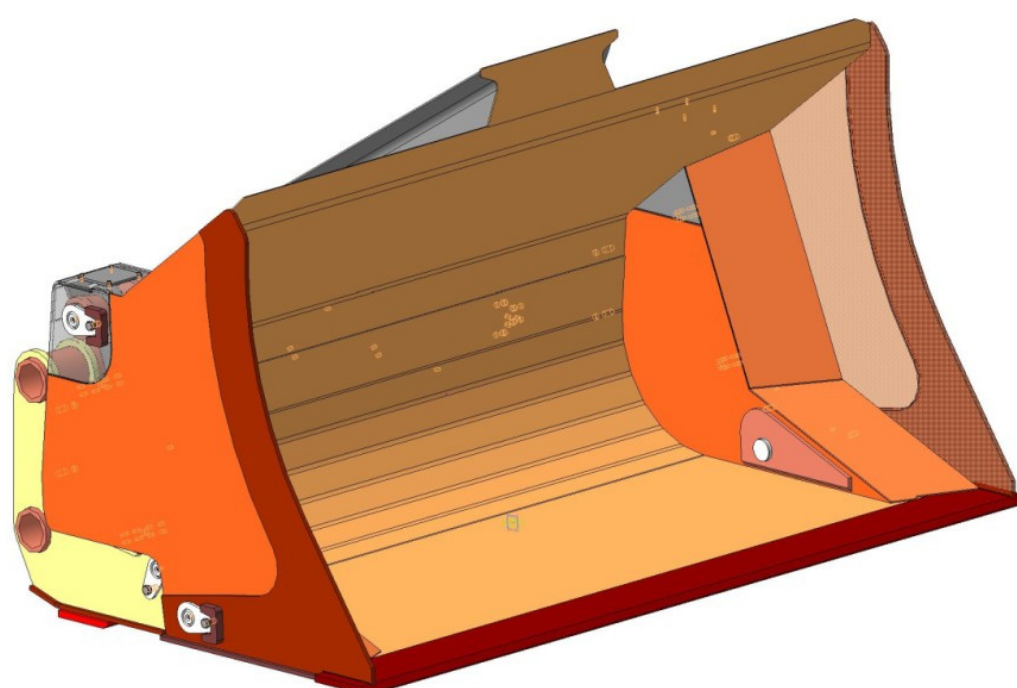
HIGH DUMP 6,0 m³ (3500mm) bucket

Zastosowanie: ŁADOWARKA KOŁOWA / Wheel loader



Katalog 2023
Czeladź/Poland

Nº	Product	Overall dimensions, mm	weight, kg	quantity
1	High tip Bucket for light materials, V(SAE)-6,0 m3 (FLAS-30-700/N)	3500(L)*1990(H) *2130(B)	3400	1



1	LIP	HB400	35 mm
2	WING	S355	20 mm
3	SIDE WALL	S355	8 mm
4	BOTTOM	S355	8 mm
5	LOOP	S690QL	50 mm
6	REPLACEMENT LIP	HB400	25 mm

Produkt: **RAMIĘ KOPARKOWE 15 m Long Reach /**

EXCAVATOR ARM 15 m Long Reach

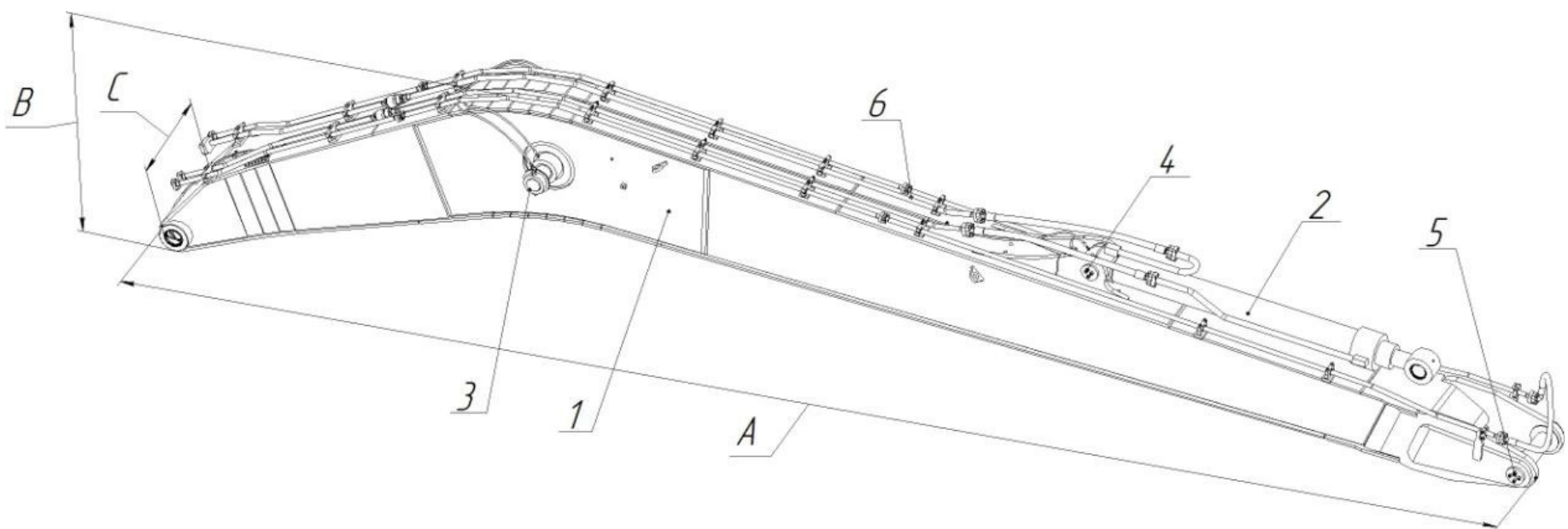
Zastosowanie: KOPARKA GAŚNIENICOWA / Excavator



Katalog 2023
Czeladź/Poland

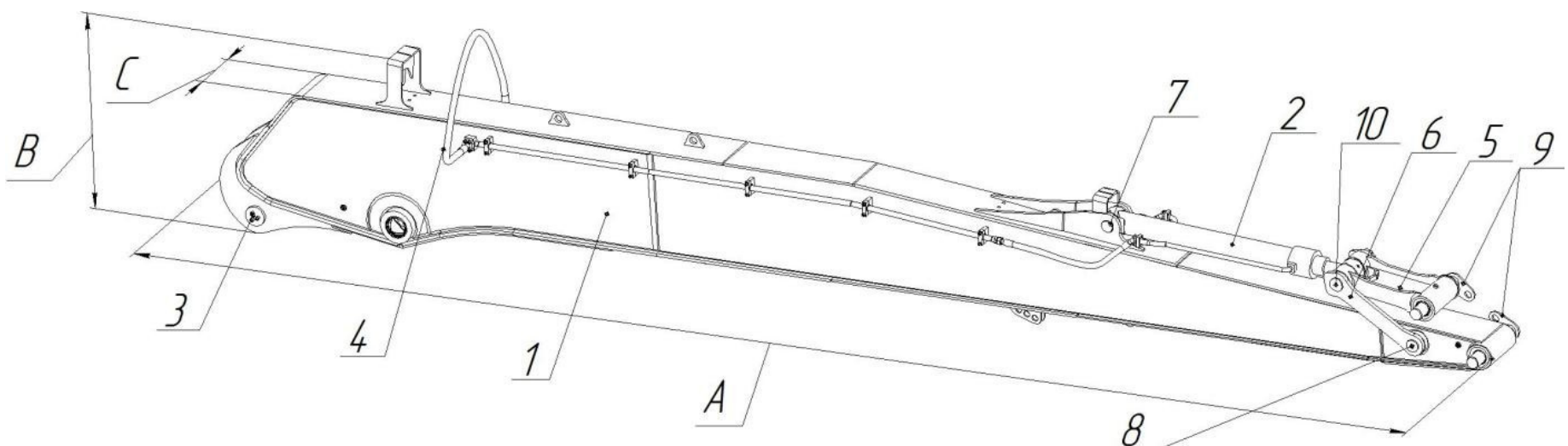
BOOM ASSEMBLY

1	Boom with bushings	1 pcs
2	Hydrocylinder of arm	1 pcs
3	Pin: boom-hydrocylinder of boom	1 pcs
4	Pin: boom-hydrocylinder of arm	1 pcs
5	Pin: boom-arm	1 pcs
6	Set of High pressure hoses	1 set

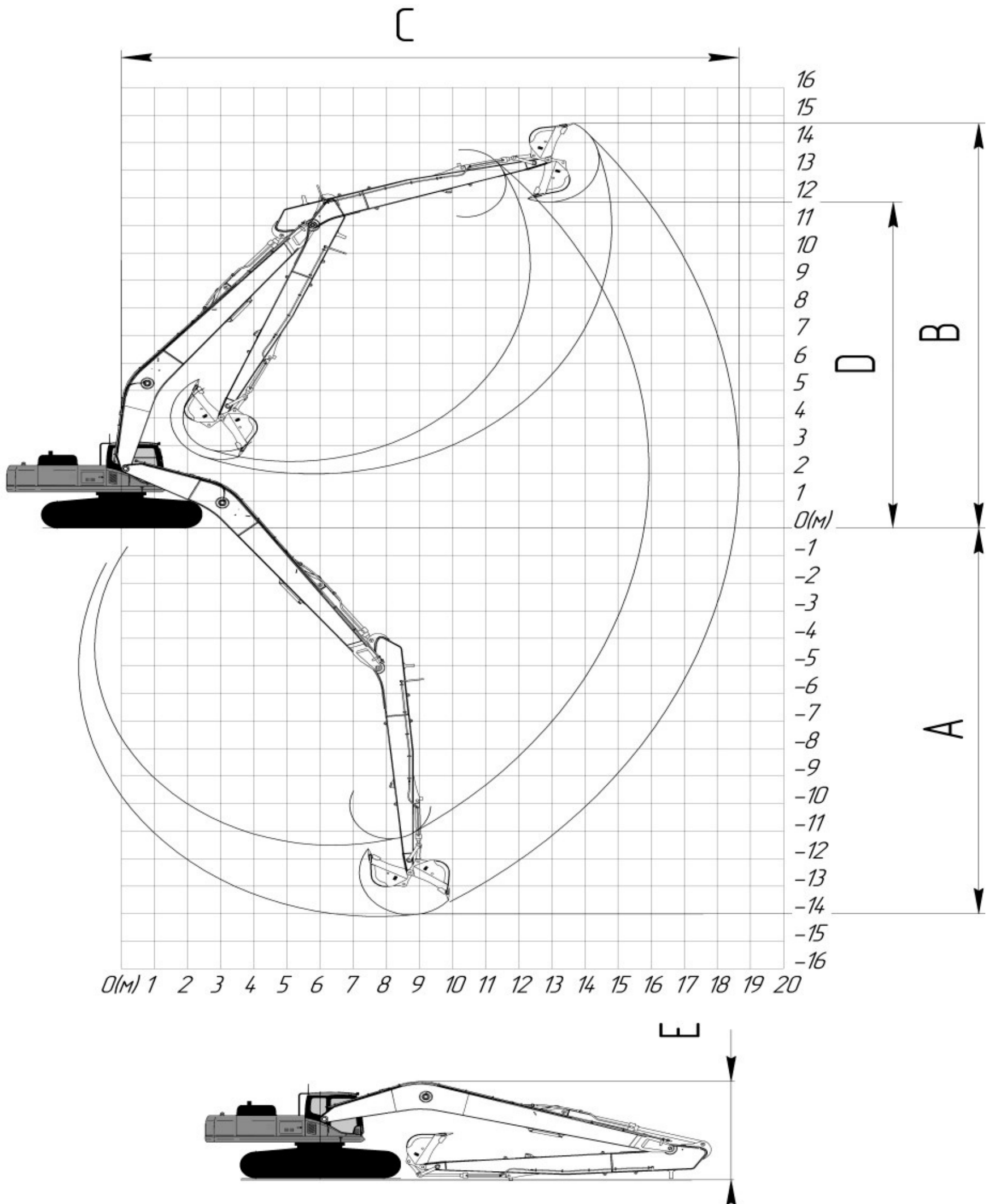


ARM ASSEMBLY

1	Arm with bushings	1 pcs
2	Hydrocylinder of bucket	1 pcs
3	Pin: arm-hydrocylinder of arm	1 pcs
4	Set of High pressure hoses	1 set
5	Central rod	1 pcs
6	Side rods	2 pcs
7	Pin: arm-hydrocylinder of bucket	1 pcs
8	Pin: arm-rod	1 pcs
9	Pin of bucket	2 pcs
10	Pin: rod-hydrocylinder of bucket	1 pcs



Catalogue number	Length of LONG REACH	Boom Length and weight	Arm Length and weight	Hydrocylinders of boom/arm	Reccomended bucket Capacity /weight	Counterweight (optionally)
SLR-311.15	15 m	9,2m and 4,18t	5,8m and 2,18t	150x105 / 120x80	HD - 0,85M3 / 0,93t	2t



CATERPILLAR

LIEBHERR

KOMATSU

VOLVO

HITACHI

HYUNDAI

CASE

JCB

DOOSAN

LIUGONG

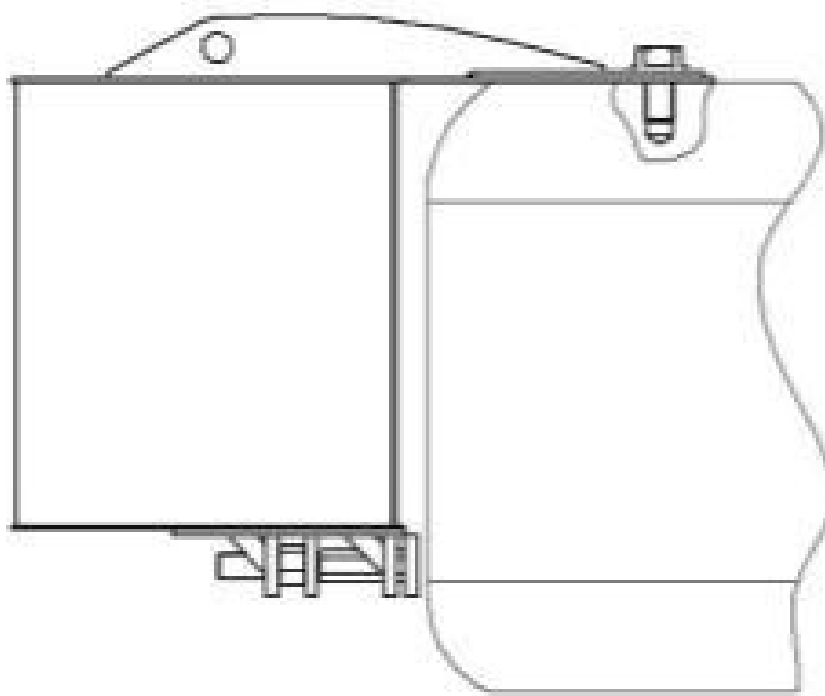
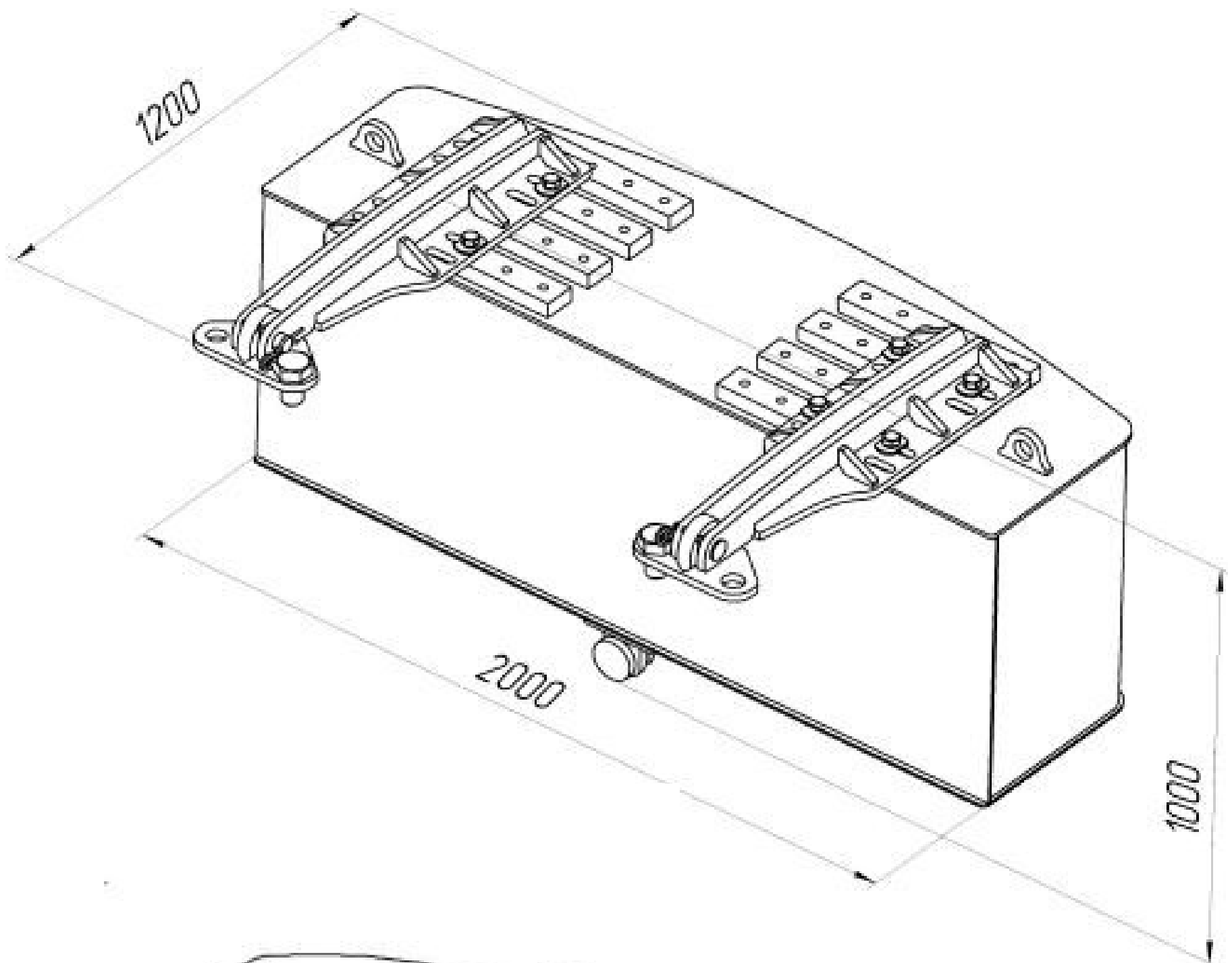
JOHN DEERE

ATLAS

TEREX

APPENDIX

Catalogue number	Max. depth of excavation A, m	Max. cutting height B, m	Max. radius during the recess C, m
SLR-311.15	11,5	13,3	15,7



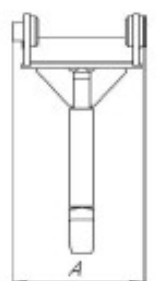
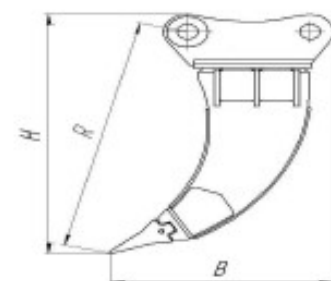
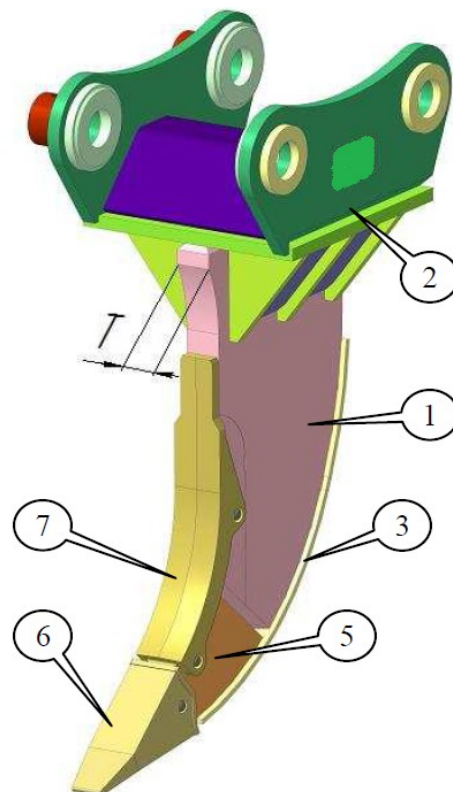
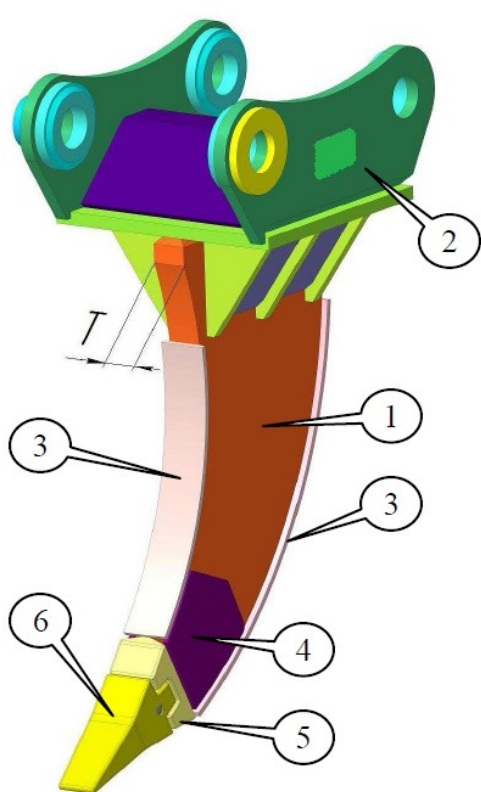
Produkt: **ZRYWAKI 1-zębowe do koparki /**

1-tooth rippers for excavator

Zastosowanie: KOPARKI / Excavators

Katalog 2023
Czeladź/Poland

Model	Ripper Type	Excavator weight, t	Ripper weight, kg	R, mm	Width A, mm	Height H, mm	Length B, mm
R-118	1	10-18	355	1180	490*	1250	880
R-135	1 i 2	18-25	460	1350	500*	1485	900



Model	Ripper Type	1-teeth	2-bracket	3-lining	4-side plate	5-adapter	6-tooth	7-protector
R-118	1	S355 60mm	S355 20mm	HB450 10mm	HB450 10mm	35RN (ESCO)	35R14A (ESCO)	-
R-135	1	S355 80mm	S355 25mm	HB450 10mm	HB450 10mm	35RN (ESCO)	35R14A (ESCO)	-
	2					-HT360 75mm	175-78-31230 (Komatsu)	195-78-21320 (Komatsu)

Produkt: **ŁYŻKA DWUSZCZĘKOWA /**

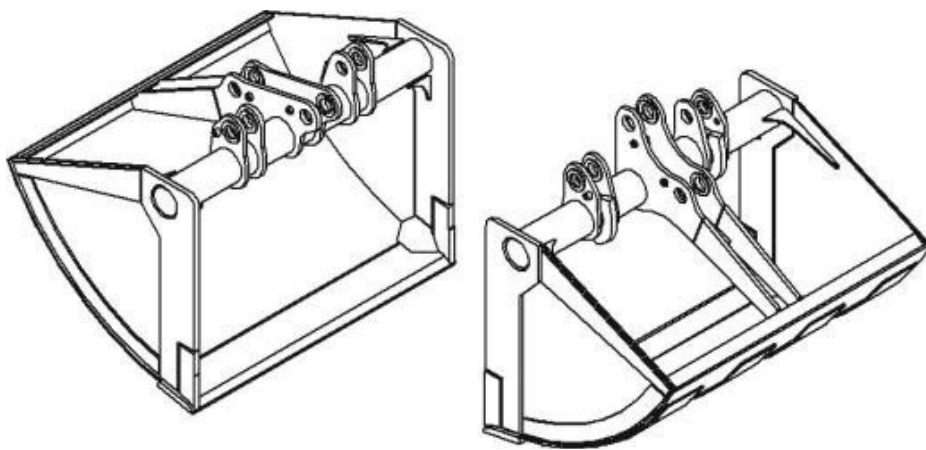
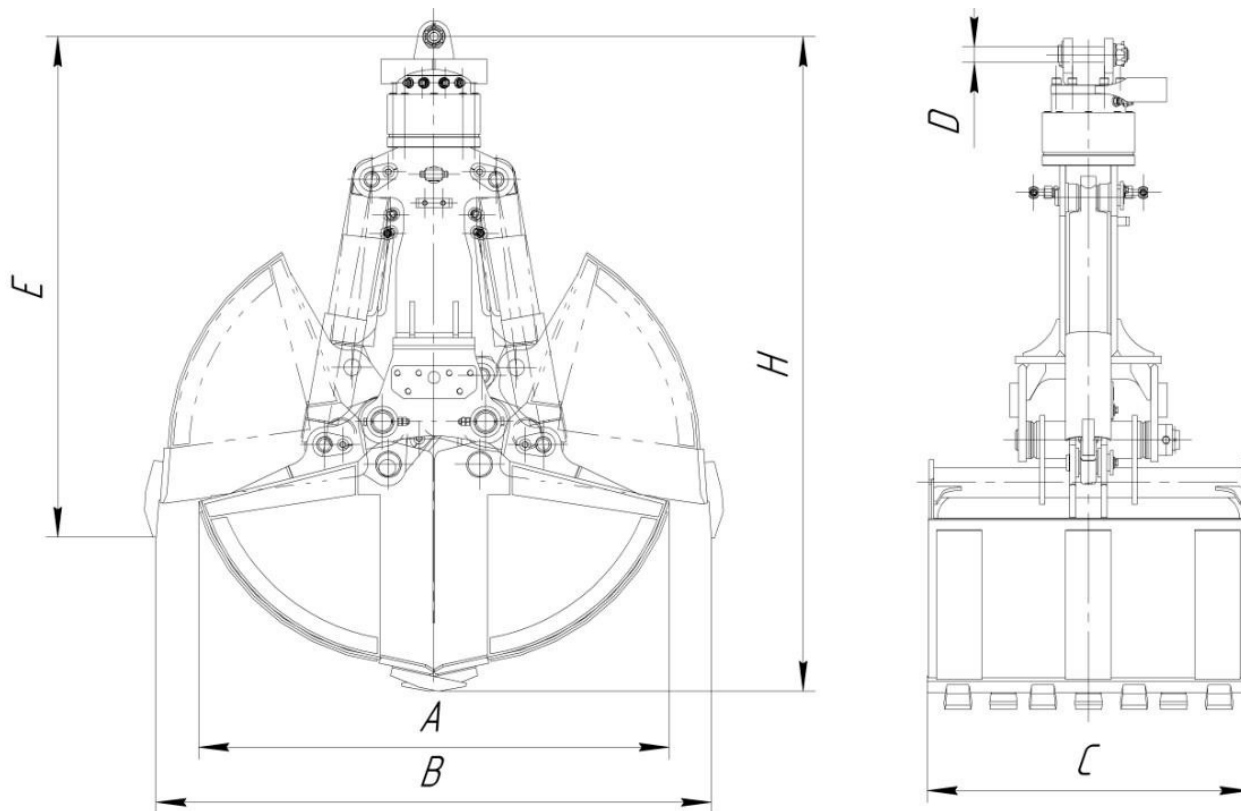
Hydraulic two-jaw grabs

Zastosowanie: KOPARKI / Excavators

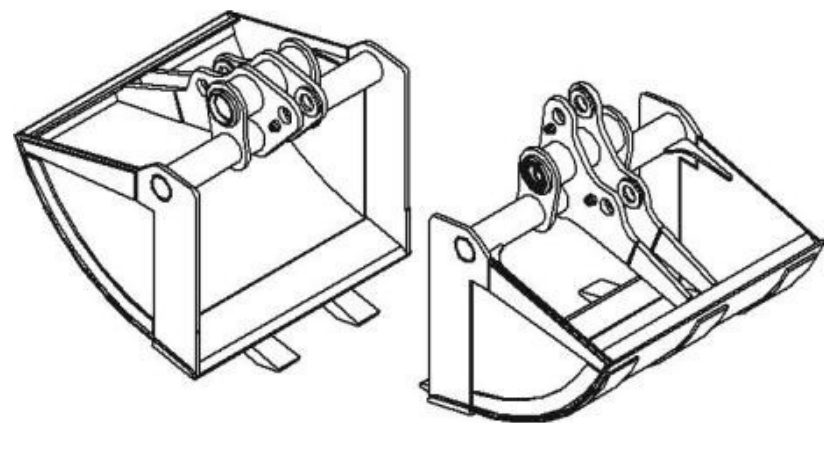


Katalog 2023
Czeladź/Poland

Grab model	Excavator weight, t	V(SAE), m ³	Weight, t	Dimensions, mm					
				A	B	C	E	H	D
GP2-251-15-IR10	22-30	1,5	1470	1840	2120	1500	1520	2110	70
GP2-251-17-IR10	22-30	1,7	1550	1840	2120	1700	1520	2110	70
GP2-321-15-IR20	30-40	1,5	2420	2180	2530	1320	2025	2780	70



Jaws for loading grab



Jaws (with teeth) for digging grab

Produkt: **MŁOTY HYDRULICZNE /**

Hydraulic hammers

Zastosowanie: KOPARKI / Excavators



Katalog 2023
Czeladź/Poland



HP 3000 FS



HP 2750 FS



HP 2500 FS



HP 2000 FS



HP 1800 FS

Technical data

Weight of hammer when operated	1900 Kg	1690 Kg	1500 Kg	1200 Kg	1000 Kg
Steel diameter	140 mm	135 mm	130 mm	120 mm	115 mm
Pressure adjusted to the excavator	200 bar	190 bar	180 bar	180 bar	180 bar
Back pressure max	8 bar	7 bar	7 bar	8 bar	8 bar
Energy class per blow	4400 joule	3700 joule	3400 joule	2500 joule	2000 joule
Number of blows per minute	360 ÷ 870 n/min	400 ÷ 870 n/min	400 ÷ 870 n/min	460 ÷ 940 n/min	440 ÷ 1060 n/min
Excavator weight	19 32 21 28	16 30 20 26	16 28 19 24	15 25 18 22	12 22 14 20

WWW.CHARKIEWICZ.PL
WWW.CHARKIEWICZ.PL

WWW.CHARKIEWICZ.PL
WWW.CHARKIEWICZ.PL
WWW.CHARKIEWICZ.PL

CHARKIEWICZ SP. Z O.O.
41-253 Czeladź, ul. Letnia 3
(+48) 669 226 977
(+48) 32 794 67 65
mcharkiewiczprof@gmail.com
POLAND